

K11 SERIES THREE-JAW SELF-CENTERING CHUCKS

K11 系列三爪自定心卡盘

K11 型卡盘配带正爪和反爪各一副，可分别使用。

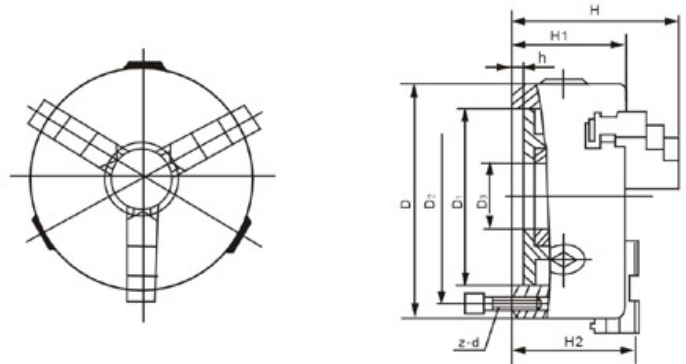
K11A、K11C型卡盘，卡爪由两部分组成，采用螺钉连接，可调整为正爪或反爪使用，K11A型配带符合ISO3442标准的分离爪，K11C型配带传统结构的分离式。并可根据用户的要求提供软卡爪，经配车（或磨）后可获得理想夹持精度。

Model K11 chucks are provided with a set of internal jaws and a set of external ones which can be separately.

The jaws of K11A and K11C chucks are composed of two screw-connected parts. They can perform either as internal or external jaws through adjustment. Model K11A chucks are supplied in two-piece jaws as per ISO3442. Model K11C chucks are supplied with traditional two-piece jaws. Upon users' requests, the soft blank top jaws are offered to achieve ideal clamping accuracy after being remachined.



尺寸图 Dimensions



单位/UNIT: mm

SPECIFICATIONS 规格表

| 规格 Size | D | D1 | D2 | D3 | H | H1 | H2 | h | z-d | 最大输入扭矩NM Max. input torque | 极限转速R.P.M Max. speed | 净重Kg Net wt. |
|------------|-----|-----|-----|-------|-----|-------|----|-------|-----|-------------------------------|-------------------------|-----------------|
| 80 | 55 | 66 | 16 | 66.5 | 50 | — | 4 | 3-M6 | 40 | 4000 | 1.9 | |
| 100 | 72 | 84 | 22 | 74.5 | 55 | — | 3 | 3-M8 | 60 | 3500 | 3.2 | |
| 125 | 95 | 108 | 30 | 84.5 | 58 | — | 4 | 3-M8 | 100 | 3000 | 5 | |
| 130 | 100 | 115 | 30 | 86.5 | 60 | — | 5 | 3-M8 | 100 | 3000 | 5.6 | |
| 160 | 130 | 142 | 45 | 94 | 65 | — | 5 | 3-M8 | 160 | 2500 | 8.8 | |
| 165 | 130 | 145 | 45 | 94 | 65 | — | 5 | 3-M8 | 160 | 2500 | 9.5 | |
| 190 | 155 | 172 | 55 | 105 | 75 | — | 5 | 3-M10 | 250 | 2000 | 13.8 | |
| 200 | 165 | 180 | 65 | 109 | 75 | — | 5 | 3-M10 | 250 | 2000 | 15.5 | |
| 230 | 190 | 210 | 70 | 120 | 80 | — | 6 | 3-M12 | 250 | 2000 | 15.5 | |
| 240 | 195 | 215 | 70 | 120 | 80 | — | 8 | 3-M12 | 320 | 1600 | 24 | |
| 250 | 206 | 226 | 80 | 120 | 80 | — | 5 | 3-M12 | 320 | 1600 | 25.7 | |
| 315 | 260 | 285 | 100 | 147.5 | 90 | — | 6 | 3-M16 | 400 | 1200 | 47 | |
| 315A | 260 | 285 | 100 | 156.5 | 90 | 99.5 | 6 | 3-M16 | 400 | 1200 | 41 | |
| 320 | 270 | 290 | 100 | 147.5 | 90 | — | 6 | 3-M16 | 400 | 1200 | — | |
| 320A | 270 | 290 | 100 | 156.5 | 90 | 101.5 | 6 | 3-M16 | 400 | 1200 | 42 | |
| 320C | 270 | 290 | 100 | 156.5 | 90 | 101.5 | 6 | 3-M16 | 400 | 1200 | 49 | |
| 325 | 272 | 296 | 100 | 147.5 | 90 | — | 6 | 3-M16 | 400 | 1200 | 44 | |
| 325A/C | 272 | 296 | 100 | 156.5 | 90 | 99.5 | 6 | 3-M16 | 400 | 1200 | 46 | |
| 380 | 325 | 350 | 135 | 155.7 | 98 | — | 6 | 3-M16 | 500 | 1000 | 65 | |
| 380C | 325 | 350 | 135 | 156.5 | 98 | 104.5 | 6 | 3-M16 | 500 | 1000 | 60 | |
| 380A | 325 | 350 | 135 | 171.5 | 98 | 107.5 | 6 | 3-M16 | 500 | 1000 | 62 | |
| 400A | 340 | 368 | 130 | 173.5 | 100 | 112.5 | 6 | 3-M16 | 500 | 1000 | 71 | |
| 500A | 440 | 465 | 210 | 202 | 115 | 126 | 6 | 6-M16 | 630 | 800 | 119 | |
| 630A | 545 | 586 | 252 | 220.5 | 135 | 144.5 | 7 | 6-M16 | 800 | 800 | — | |